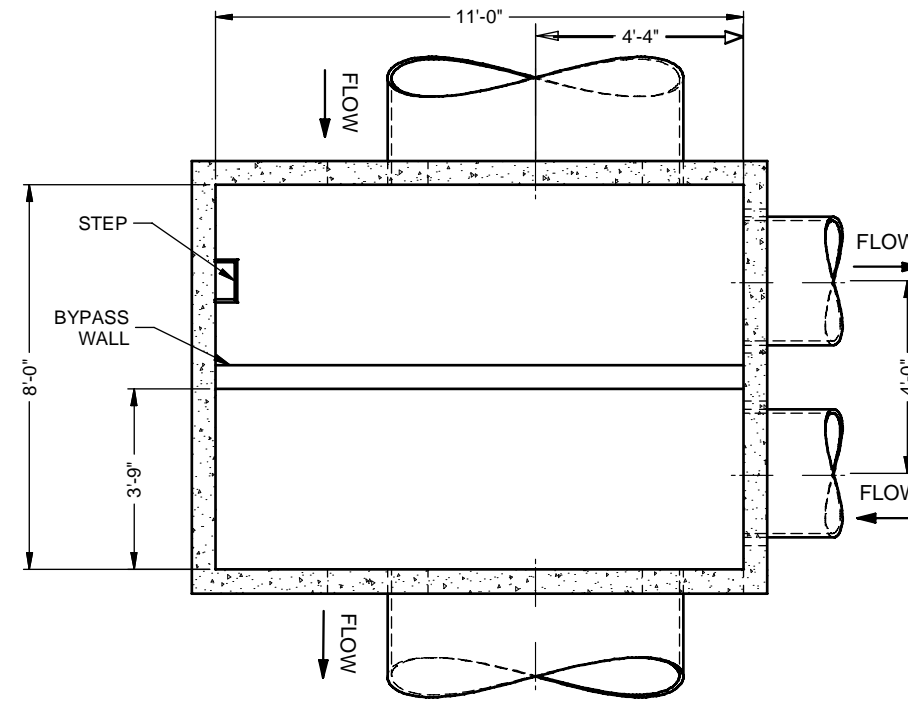
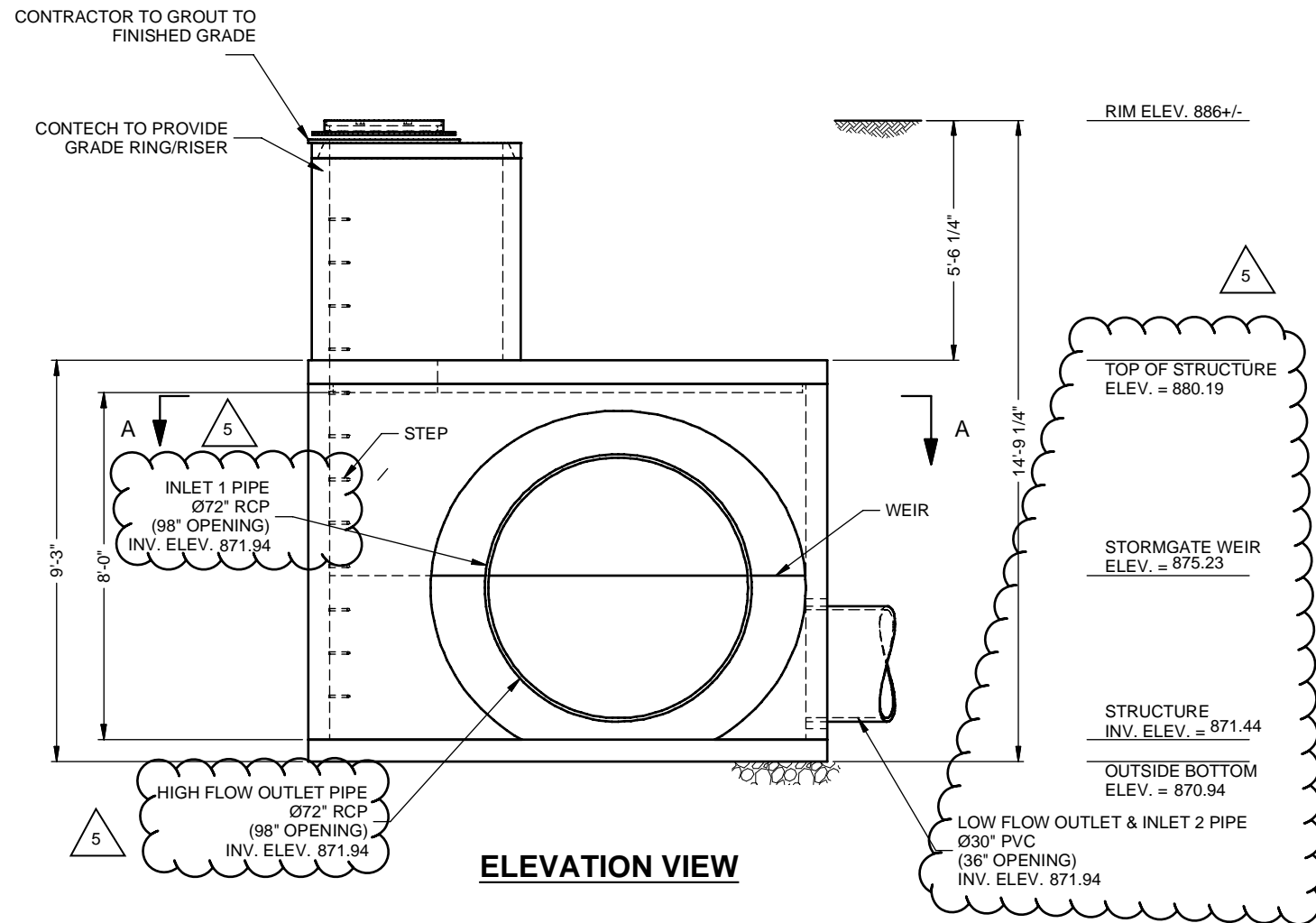


PLAN VIEW



SECTION A-A



ELEVATION VIEW

MATERIALS LIST - PROVIDED BY CONTECH

COUNT	DESCRIPTION	INSTALLED BY
1	JOINT SEALANT	CONTRACTOR
1 PLACE	GRADE RINGS/RISERS	CONTRACTOR
1	30"Ø x 4" FRAME AND COVER, EJ #41600484, OR EQUIV.	CONTRACTOR
12	STEPS, P10CTS, BY LANE LADDER, OR EQUIV.	CONTECH

SITE DESIGN DATA

WATER QUALITY FLOW RATE	18 CFS
PEAK FLOW RATE	350 CFS
RETURN PERIOD OF PEAK FLOW	100 YRS
*GROUNDWATER ELEV. (ASSUMED)	872.22'

* SEE NOTE 4

GENERAL NOTES

- CONTECH TO PROVIDE ALL MATERIALS UNLESS NOTED OTHERWISE.
- FOR FABRICATION DRAWINGS WITH DETAILED STRUCTURE DIMENSIONS AND WEIGHT, PLEASE CONTACT YOUR CONTECH ENGINEERED SOLUTIONS REPRESENTATIVE. www.ContechES.com
- BYPASS STRUCTURE SHALL BE IN ACCORDANCE WITH ALL DESIGN DATA AND INFORMATION CONTAINED IN THIS DRAWING. CONTRACTOR TO CONFIRM STRUCTURE MEETS REQUIREMENTS OF PROJECT.
- STRUCTURE SHALL MEET AASHTO HS-20 LOAD RATING, ASSUMING EARTH COVER OF 0' - 6', AND GROUNDWATER ELEVATION AT OR BELOW, THE OUTLET PIPE INVERT ELEVATION. ENGINEER OF RECORD TO CONFIRM ACTUAL GROUNDWATER ELEVATION. CASTINGS SHALL MEET AASHTO M306 LOAD RATING AND BE CAST WITH THE CONTECH LOGO.
- BYPASS STRUCTURE SHALL BE PRECAST CONCRETE CONFORMING TO ASTM C-857 AND AASHTO LOAD FACTOR DESIGN METHOD.

INSTALLATION NOTES

- ANY SUB-BASE, BACKFILL DEPTH, AND/OR ANTI-FLOTATION PROVISIONS ARE SITE-SPECIFIC DESIGN CONSIDERATIONS AND SHALL BE SPECIFIED BY ENGINEER OF RECORD.
- CONTRACTOR TO PROVIDE EQUIPMENT WITH SUFFICIENT LIFTING AND REACH CAPACITY TO LIFT AND SET THE BYPASS STRUCTURE (LIFTING CLUTCHES PROVIDED).
- CONTRACTOR TO INSTALL JOINT SEALANT BETWEEN ALL STRUCTURE SECTIONS AND ASSEMBLE STRUCTURE.
- CONTRACTOR TO PROVIDE, INSTALL, AND GROUT INLET AND OUTLET PIPE(S).
- CONTRACTOR TO PROVIDE AND INSTALL GRADE RINGS/RISERS OR BLOCK REQUIRED BETWEEN THE TOP OF THE STRUCTURE AND THE BASE OF THE MANHOLE FRAMES.

STRUCTURE WEIGHT
APPROXIMATE HEAVIEST PICK = 28000 LBS
OF 2 PIECES

MAX FOOTPRINT - 12' X 9'

**CONTECH
CONTRACT
DRAWING**

WIES
GREATER THAN 5 FEET
OF EARTH COVER
5883/1041

The design and information shown on this drawing is the property of Contech Engineered Solutions LLC ("Contech"). Neither this drawing, nor any part thereof, is to be used, copied, or reproduced in any form without the prior written consent of Contech. Failure to comply is done at the user's own risk and Contech expressly disclaims any liability or responsibility for such use.

If discrepancies between the supplied information upon which this design was based and the actual conditions are encountered at site work progress, these discrepancies must be reported to Contech immediately for design based on missing, incomplete or inaccurate information supplied by others.

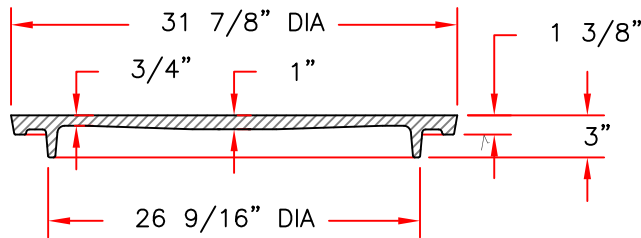
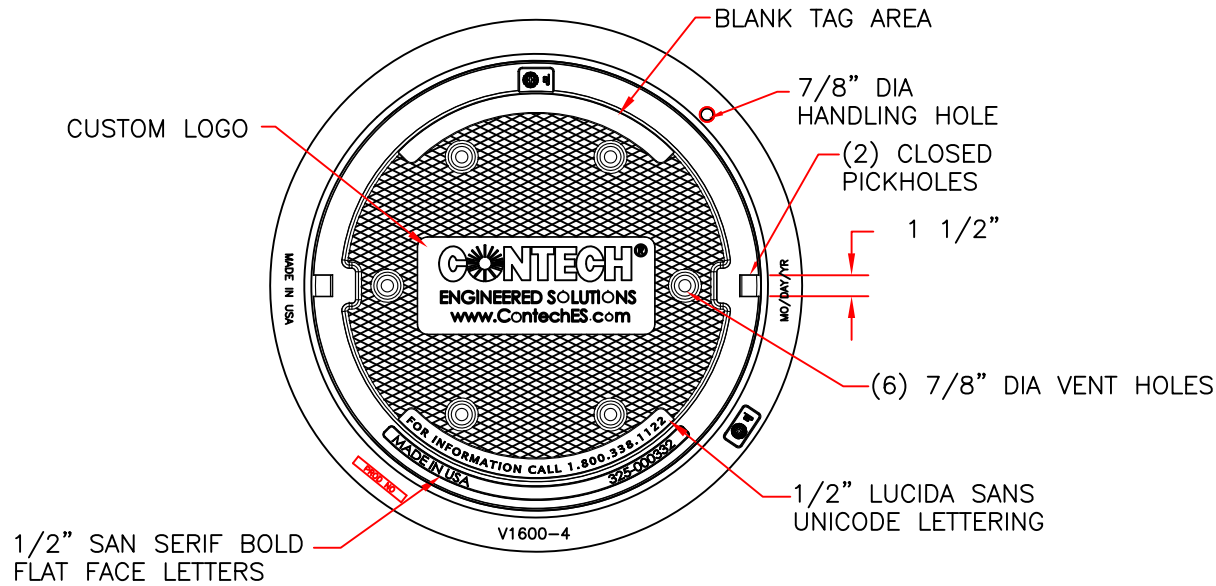
NO.	DATE	REVISION DESCRIPTION	BY
5	9/23/20	CDS RELOCATION	EES

DIVERSION BYPASS BP0811 - 645799-020
35TH AVE NE STORM SEWER IMPROVEMENTS
MINNEAPOLIS, MN
for SYSTEM: PRETREATMENT STRUCTURE

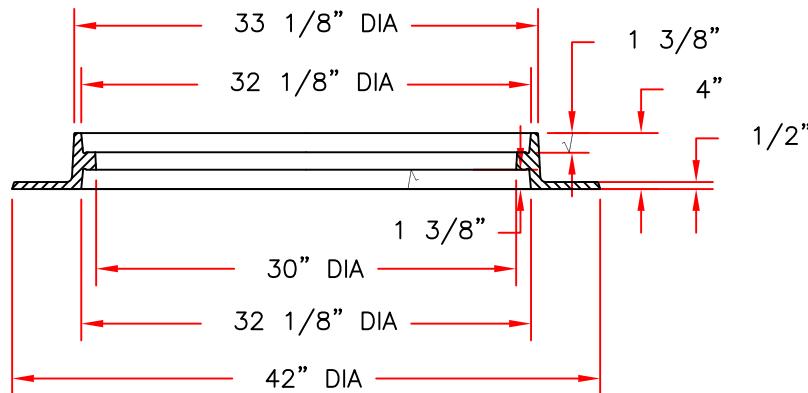
CONTECH
ENGINEERED SOLUTIONS LLC
www.ContechES.com
9025 Centre Pointe Drive, Suite 400, West Chester, OH 45389
800-338-1122 513-645-7000 513-645-7846 FAX

DATE: 6/12/2020 SCALE:
DESIGNED: RSO DRAWN: DWB
CHECKED: RSO APPROVED: N/A
PROJECT NUMBER: 645799
SHEET: 1 OF 1

1810B4 V1600-4 Assembly



COVER SECTION



FRAME SECTION

Product Number

41600484

Design Features

- Materials
- Cover
- Gray Iron (CL35B)
- Frame
- Gray Iron (CL35B)

- Design Load
- Heavy Duty

- Open Area
- n/a

- Coating
- Undipped

- √ Designates Machined Surface

Certification

- ASTM A48
- Country of Origin: USA

Major Components

00180783
41600419

Drawing Revision

11/19/2007 Designer: DEW
6/20/2017 Revised By: DAE

Disclaimer

Weights (lbs./kg) dimensions (inches/mm) and drawings provided for your guidance. We reserve the right to modify specifications without prior notice.

CONFIDENTIAL: This drawing is the property of EJ GROUP, Inc., and embodies confidential information, registered marks, patents, trade secret information, and/or know how that is the property of EJ GROUP, Inc. Copyright © 2012 EJ GROUP, Inc. All rights reserved.

Contact

800 626 4653
ejco.com