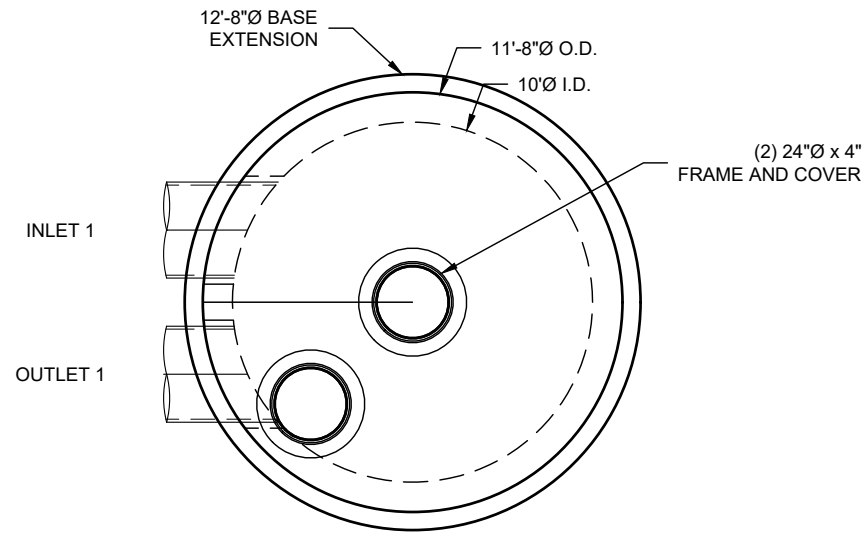
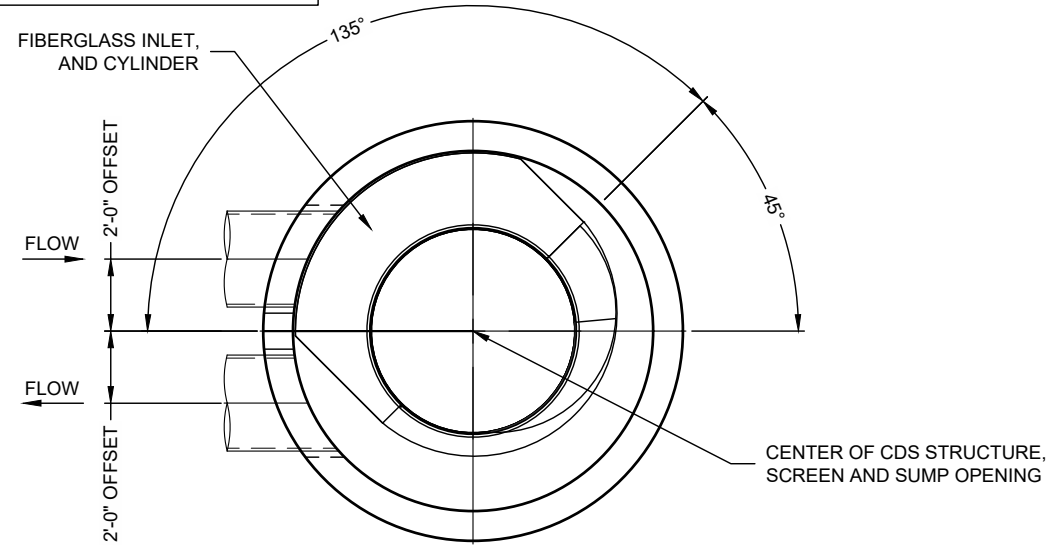


INTERNAL COMPONENTS TO BE INSTALLED ON SITE BY CONTECH FIELD CONSULTANT. PRECASTER TO SHIP ALL INTERNAL COMPONENTS WITH STRUCTURE.



PLAN VIEW



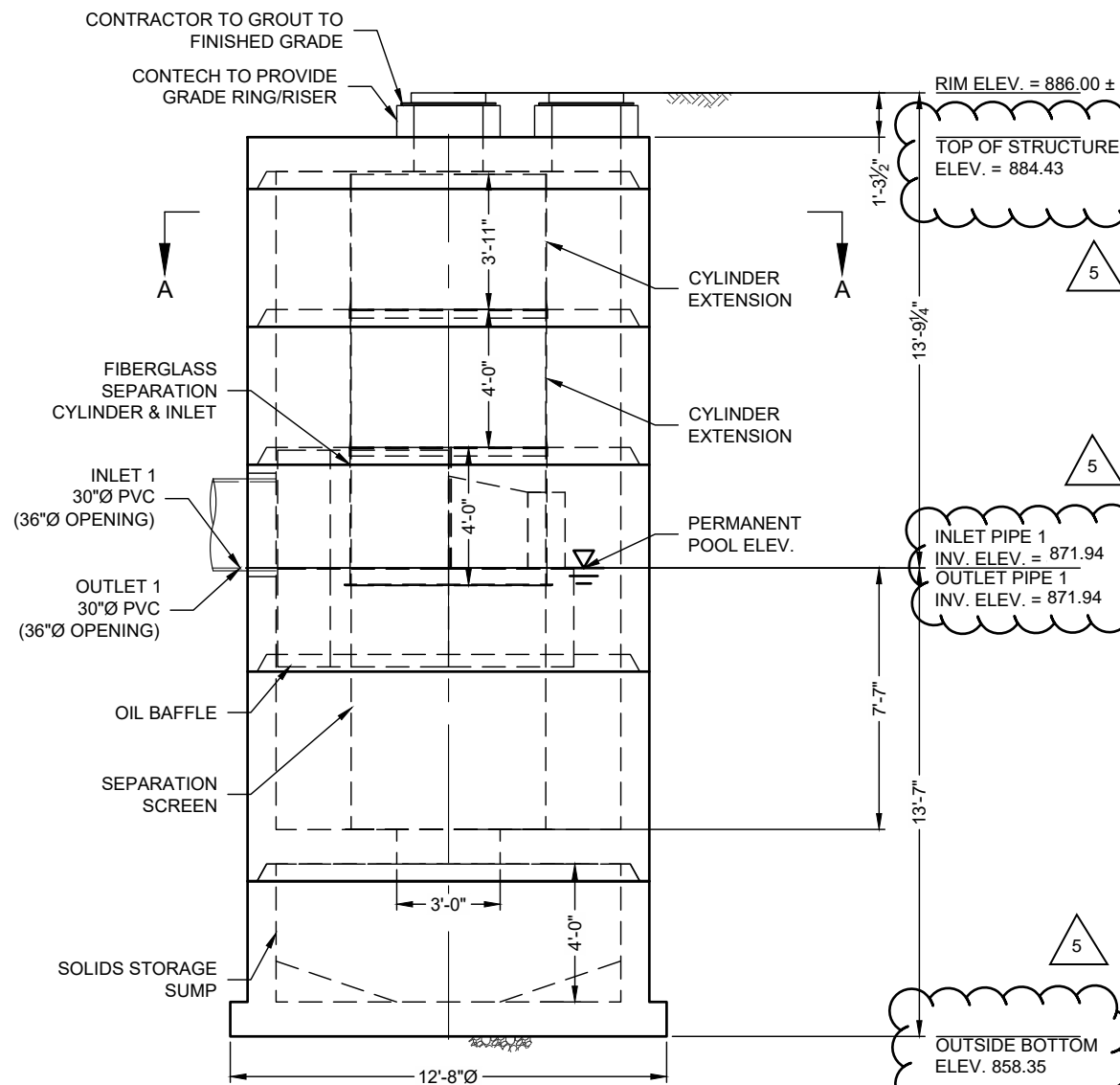
SECTION A-A

MATERIAL LIST (PROVIDED BY CONTECH)

COUNT	DESCRIPTION	INSTALLED BY
1	FIBERGLASS INLET AND CYLINDER	CONTECH
1	2400 micron, 5.6' O.D. x 7.08' SEP. SCREEN	CONTECH
2	CYLINDER EXTENSION	CONTRACTOR
1	SEALANT FOR JOINTS	CONTRACTOR
2 PLC	GRADE RINGS/RISERS	CONTRACTOR
2	24"Ø x 4" FRAME & COVER, E.J.#41600389, OR EQUIV.	CONTRACTOR

SITE DESIGN DATA

WATER QUALITY FLOW RATE	18.0 CFS
PEAK FLOW RATE	OFFLINE
RETURN PERIOD OF PEAK FLOW	OFFLINE



ELEVATION VIEW

GENERAL NOTES

- CONTECH TO PROVIDE ALL MATERIALS UNLESS NOTED OTHERWISE.
- FOR FABRICATION DRAWINGS WITH DETAILED STRUCTURE DIMENSIONS AND WEIGHT, PLEASE CONTACT YOUR CONTECH ENGINEERED SOLUTIONS LLC REPRESENTATIVE. www.ContechES.com
- CDS WATER QUALITY STRUCTURE SHALL BE IN ACCORDANCE WITH ALL DESIGN DATA AND INFORMATION CONTAINED IN THIS DRAWING. CONTRACTOR TO CONFIRM STRUCTURE MEETS REQUIREMENTS OF PROJECT.
- STRUCTURE SHALL MEET AASHTO HS-20 LOAD RATING, ASSUMING EARTH COVER OF 0' - 2', AND GROUNDWATER ELEVATION AT, OR BELOW, THE OUTLET PIPE INVERT ELEVATION. ENGINEER OF RECORD TO CONFIRM ACTUAL GROUNDWATER ELEVATION. CASTINGS SHALL MEET AASHTO M306 AND BE CAST WITH THE CONTECH LOGO.
- IF REQUIRED, PVC HYDRAULIC SHEAR PLATE IS PLACED ON SHELF AT BOTTOM OF SCREEN CYLINDER. REMOVE AND REPLACE AS NECESSARY DURING MAINTENANCE CLEANING.
- CDS STRUCTURE SHALL BE PRECAST CONCRETE CONFORMING TO ASTM C-478 AND AASHTO LOAD FACTOR DESIGN METHOD.

INSTALLATION NOTES

- ANY SUB-BASE, BACKFILL DEPTH, AND/OR ANTI-FLOTATION PROVISIONS ARE SITE-SPECIFIC DESIGN CONSIDERATIONS AND SHALL BE SPECIFIED BY ENGINEER OF RECORD.
- CONTRACTOR TO PROVIDE EQUIPMENT WITH SUFFICIENT LIFTING AND REACH CAPACITY TO LIFT AND SET THE CDS MANHOLE STRUCTURE.
- CONTRACTOR TO INSTALL JOINT SEALANT BETWEEN ALL STRUCTURE SECTIONS AND ASSEMBLE STRUCTURE.
- CONTRACTOR TO PROVIDE, INSTALL, AND GROUT INLET AND OUTLET PIPE(S). MATCH PIPE INVERTS WITH ELEVATIONS SHOWN. ALL PIPE CENTERLINES TO MATCH PIPE OPENING CENTERLINES.
- CONTRACTOR TO TAKE APPROPRIATE MEASURES TO ASSURE UNIT IS WATER TIGHT, HOLDING WATER TO FLOWLINE INVERT MINIMUM. IT IS SUGGESTED THAT ALL JOINTS BELOW PIPE INVERTS ARE GROUTED.

STRUCTURE WEIGHT

APPROXIMATE HEAVIEST PICK = 43500 LBS.
STRUCTURE IS DELIVERED IN 6 PIECES

MAX FOOTPRINT = Ø12'-8"

CONTECH
CONTRACT
DRAWING

The design and information shown on this drawing is the property of CONTECH ENGINEERED SOLUTIONS LLC, a contractor by CONTECH Construction Products Inc. or one of its affiliated companies ("CONTECH"). Neither this drawing, nor any part thereof, may be used, copied, or reproduced in any form without the written consent of CONTECH. Failure to comply with the terms of this agreement shall constitute a breach of contract and CONTECH expressly disclaims any liability or responsibility for such use. If discrepancies between the supplied information upon which the drawing is based and actual field conditions are encountered at the work site, the contractor shall be responsible for the design. CONTECH shall not be held liable for re-evaluation of the design. CONTECH shall not be held liable for design based on missing, incomplete or inaccurate information supplied by others.

MARK	DATE	REVISION DESCRIPTION	BY
5	9/23/20	CDS RELOCATION	EES

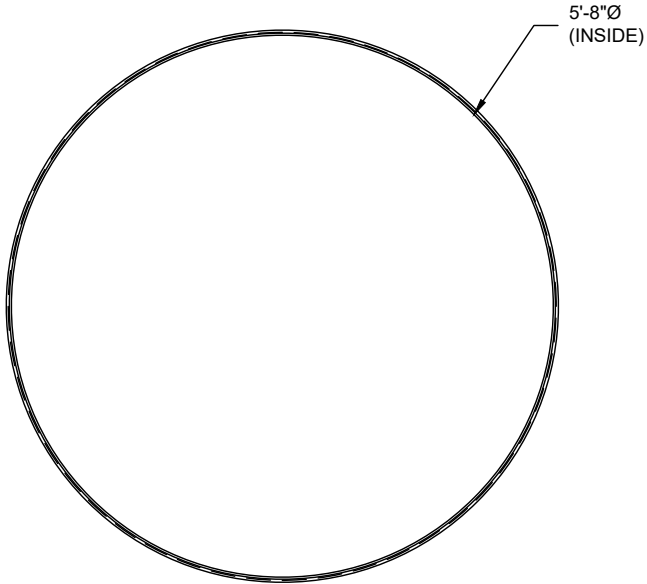
CDS5668-10-C - 645799-10
35TH AVE NE STORM SEWER
IMPROVEMENTS
MINNEAPOLIS, MN
for SYSTEM: PRETREATMENT
STRUCTURE

CONTECH
ENGINEERED SOLUTIONS LLC
www.ContechES.com
9025 Centre Pointe Dr., Suite 400, West Chester, OH 45389
800-338-1122 513-445-7000 513-445-7988 FAX

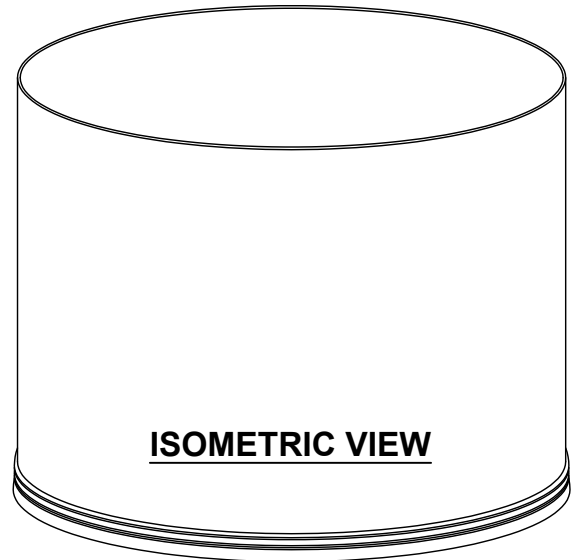
GDS
THIS PRODUCT MAY BE PROTECTED BY ONE OR MORE OF THE FOLLOWING PATENTS OR PATENT PENDING.

DATE:	08/04/20	SCALE:	3/16" = 1'-0"
DESIGNED:	CMF	DRAWN:	GHH
CHECKED:	CMF	APPROVED:	CMF
PROJECT No.:	645799	SEQUENCE No.:	10
SHEET:	1	OF	1

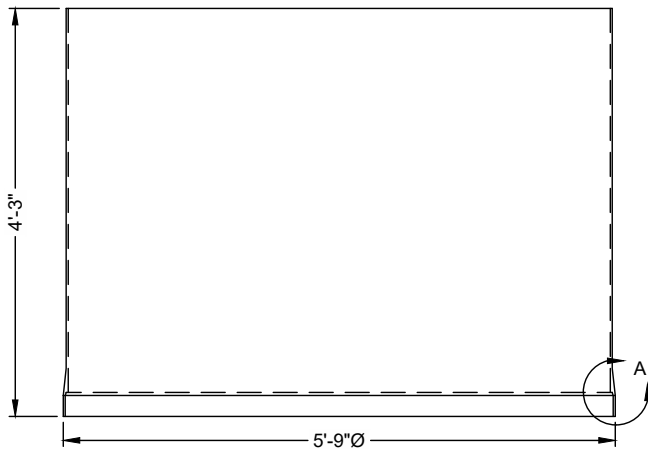
WIES-MR
LAYOUT 1A
5668-10-FGIS
5883 / 5883



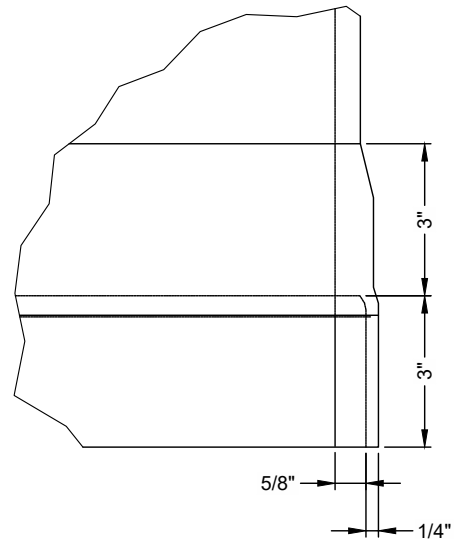
PLAN VIEW



ISOMETRIC VIEW



ELEVATION VIEW



DETAIL A
SCALE : N.T.S.



THIS PRODUCT MAY BE PROTECTED BY ONE OR MORE OF THE FOLLOWING U.S. PATENTS: 5,788,848; 6,641,720; 6,511,995; 6,581,783. RELATED FOREIGN PATENTS, OR OTHER PATENTS PENDING.

CONTECH
CONTRACT
DRAWING

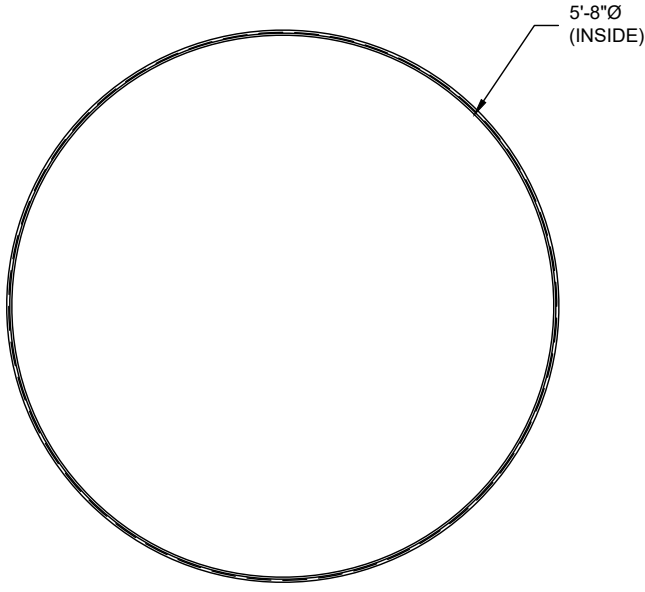
CONTECH
ENGINEERED SOLUTIONS LLC
www.ContechES.com

9025 Centre Pointe Dr., Suite 400, West Chester, OH 45069
800-338-1122 513-645-7000 513-645-7993 FAX

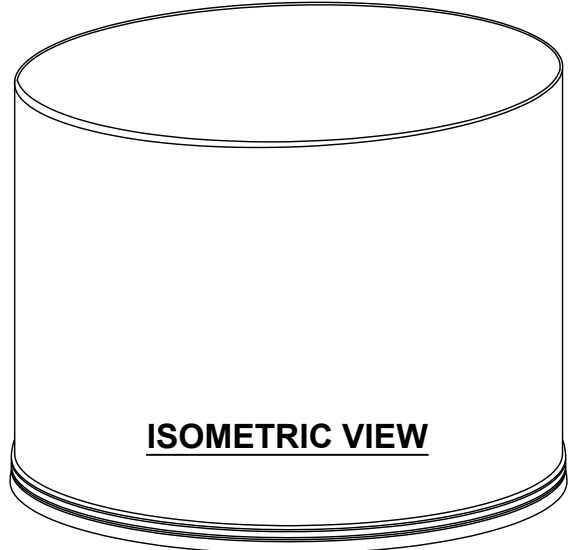
CDS5668-10-C - 645799-10, CYLINDER EXTENSION DETAILS
35TH AVE NE STORM SEWER IMPROVEMENTS
MINNEAPOLIS, MN
for SYSTEM: PRETREATMENT STRUCTURE

DATE: 08/04/20	SCALE: 1/2" = 1'-0"	PROJECT No.: 645799	SEQ. No.: 10	DRAWN: GHH	CHECKED: CMF
----------------	---------------------	---------------------	--------------	------------	--------------

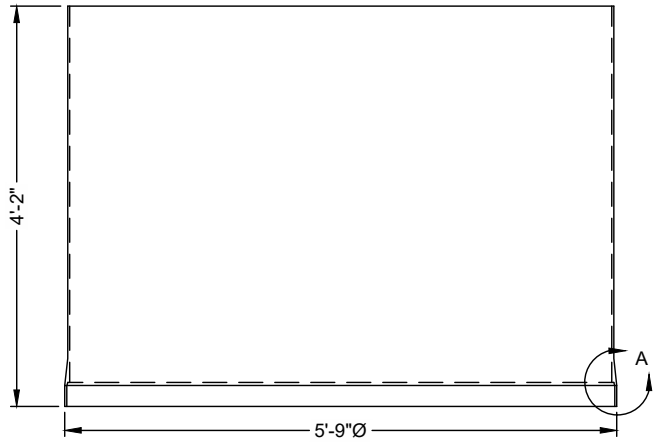
I:\AD.CONTECH\CPI.COM\ROOT\MERLIN\PROJECT\ACTIVE\645700\645799\645799-10-C\SD\DRAWING\645799-10-C\SDS5668-10 CONFAB.DWG 8/6/2020 2:49 PM



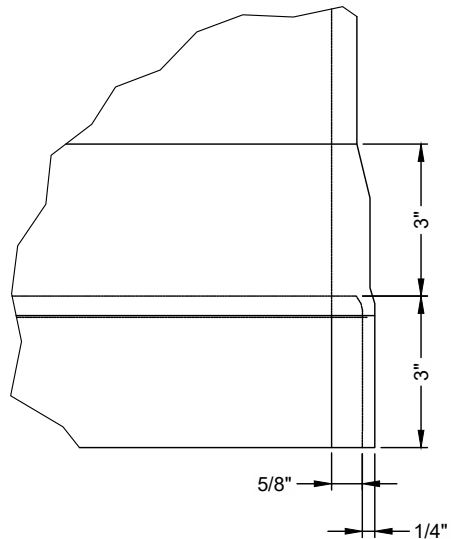
PLAN VIEW



ISOMETRIC VIEW



ELEVATION VIEW



DETAIL A
SCALE : N.T.S.



THIS PRODUCT MAY BE PROTECTED BY ONE OR MORE OF THE FOLLOWING U.S. PATENTS: 5,788,848; 6,641,720; 6,511,595; 6,581,783. RELATED FOREIGN PATENTS, OR OTHER PATENTS PENDING.

CONTECH
CONTRACT
DRAWING

CONTECH
ENGINEERED SOLUTIONS LLC
www.ContechES.com

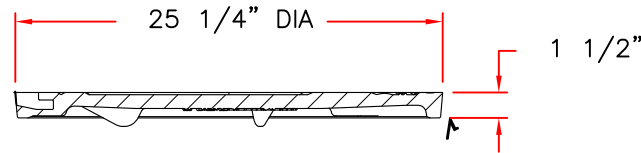
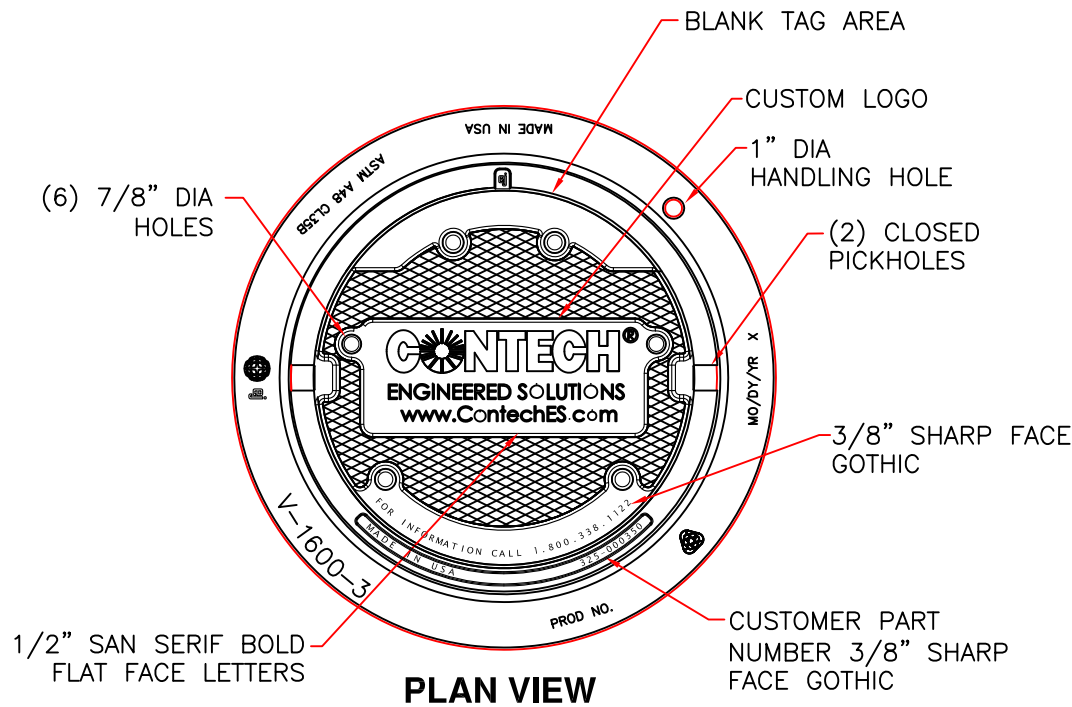
9025 Centre Pointe Dr., Suite 400, West Chester, OH 45069
800-338-1122 513-645-7000 513-645-7993 FAX

CDS5668-10-C - 645799-10, CYLINDER EXTENSION DETAILS
35TH AVE NE STORM SEWER IMPROVEMENTS
MINNEAPOLIS, MN
for SYSTEM: PRETREATMENT STRUCTURE

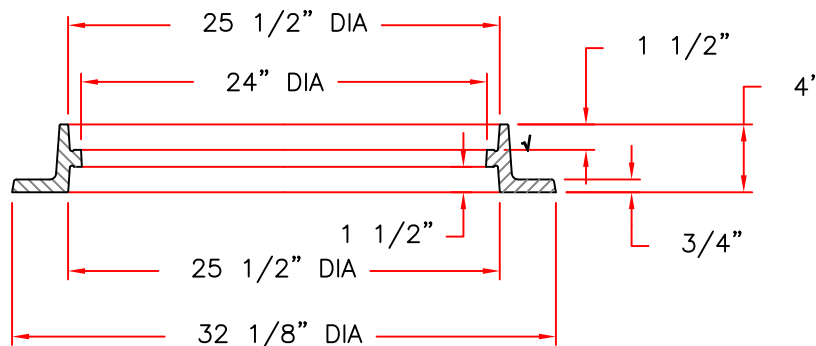
DATE:08/04/20	SCALE:1/2" = 1'-0"	PROJECT No.: 645799	SEQ. No.: 10	DRAWN: GHH	CHECKED: CMF
---------------	--------------------	---------------------	--------------	------------	--------------

I:\AD.CONTECH\CPI.COM\ROOT\MERLIN\PROJECT\ACTIVE\645700\645799\645799-10-CDS\DRAWINGS\645799-10-CDS\5668-10 CON FAB.DWG 8/6/2020 2:49 PM

V1600-3 V1610-3 Assembly



COVER SECTION



RING SECTION

Product Number
41600389

Design Features

- Materials
 - Frame
Gray Iron (CL35B)
 - Cover
Gray Iron (CL35B)

- Design Load
Heavy Duty
- Open Area
n/a
- Coating
Undipped
- √ Designates Machined Surface

Certification

- ASTM A48
- Country of Origin: USA

Major Components

- 41600310
- 41600374

Drawing Revision

- 05/02/2008 Designer: DEW
- 6/20/2017 Revised By: DAE

Disclaimer

Weights (lbs./kg) dimensions (inches/mm) and drawings provided for your guidance. We reserve the right to modify specifications without prior notice.

CONFIDENTIAL: This drawing is the property of EJ GROUP, Inc., and embodies confidential information, registered marks, patents, trade secret information, and/or know how that is the property of EJ GROUP, Inc. Copyright © 2012 EJ GROUP, Inc. All rights reserved.

Contact

800 626 4653
ejco.com